

MODEL 90-PAG

GAS FIRED OVEN

The Model 90-PAG gas oven contains all the same high quality features and components as the Model 90-PA wood fire oven with the addition of a fully automatic gas burner system.

Our heavy-duty gas burner system is engineered for optimum performance and long term reliable operation through a straightforward design and the use of high quality components. The solenoid based burner control automatically adjusts flame height and intensity to maintain the preset temperature. All our PAG models are manufactured in Los Angeles.

Interior diameter 35"

Oven entrance opening: 20" wide by 9 1/2" high

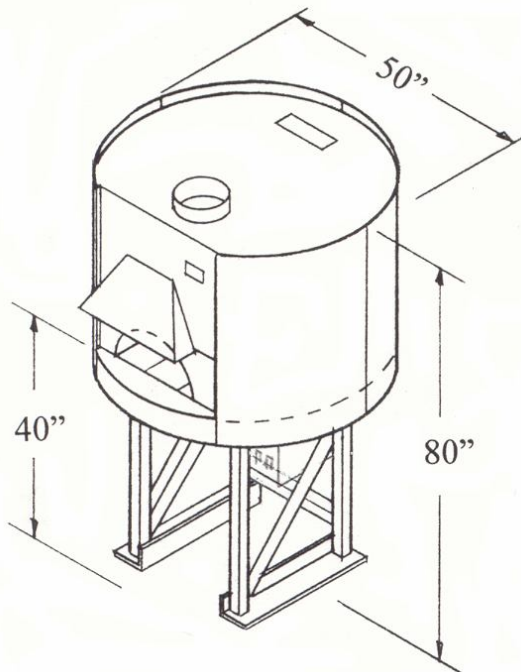
Clearance to combustible sidewalls: 1 inch

Weight: 2500 lb.

Pizza Capacities:

8" Pizzas: 3-4

12" Pizzas: 2-3



Gas Requirement: 3/4 inch gas outlet-7" W.C. (LP GAS 10")

BTU's: 90,000

Electrical Requirement: 120 VAC/ 3 AMP



Also in Accordance
With NSFI Standard 4

LA Research Report No. : RR-7813

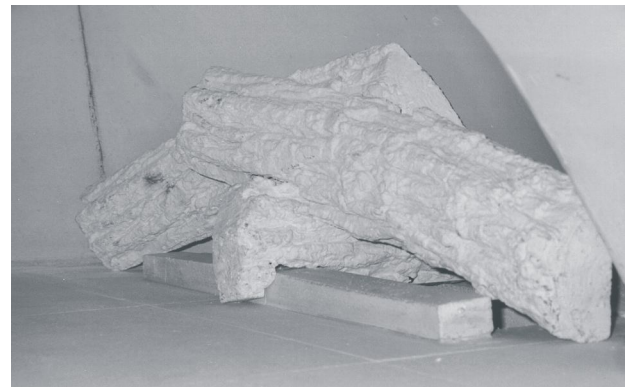
New York MEA No.: 207-98E



Ovens come standard with:

- Factory finished gray paint
- Digital thermometer controller
- Heavy duty gas burner system recessed in floor
- Ceramic fire logs
- Cast aluminum door with Teflon handles
- Granite shelf
- Hood cover (s/s or copper)
- Shelf apron (s/s or copper)
- S/S Flue adapter
- S/S pizza peel
- 5 year limited warranty

Custom options and finishes available



Ceramic fire logs

EARTHSTONE

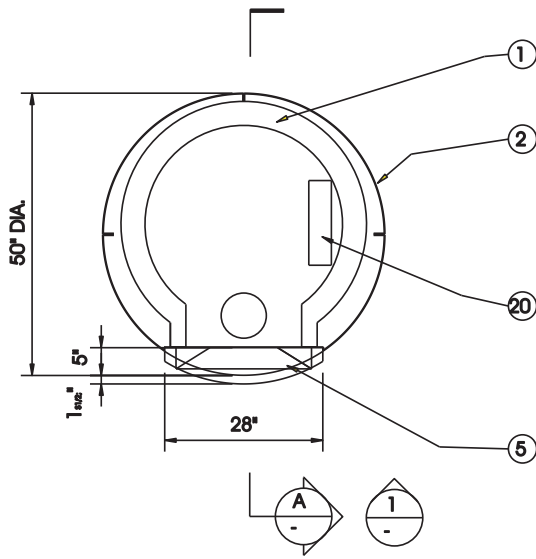
WOOD-FIRE OVENS

6717 San Fernando Rd. Glendale CA 91201

Tel: 800-840-4915 - 818-553-1134 Fax: 818-553-1133

www.earthstoneovens.com

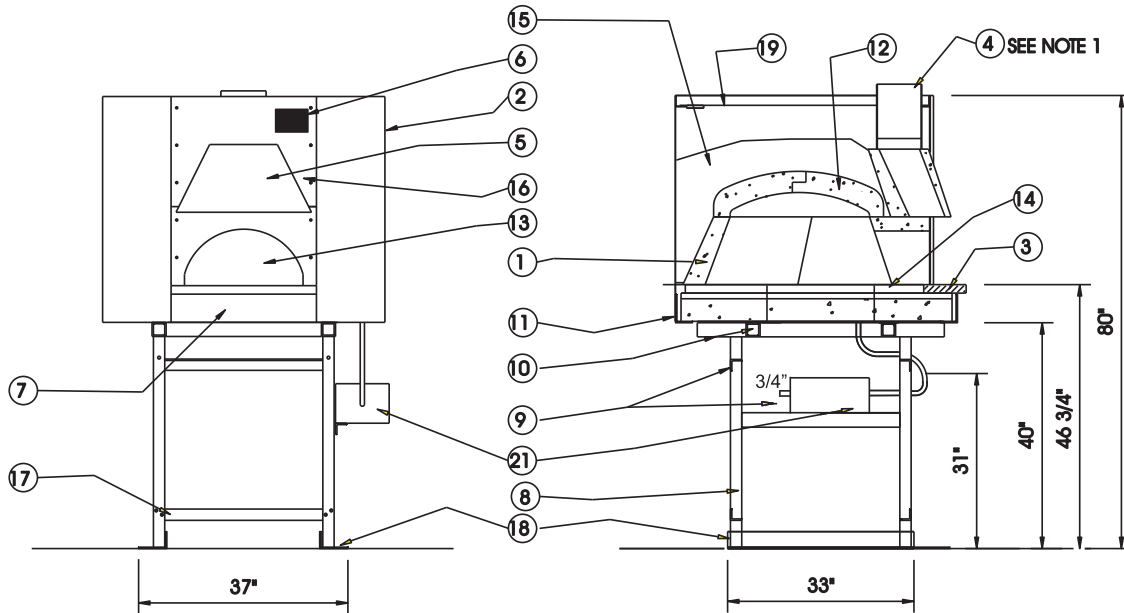
Specifications to change without notice. revised January 2001



PLAN

LEGEND

- ①. 4"-6" REFRACTORY WALL PIECES
- 2. 16 GA. CURVED STEEL PANELS
- 3. GRANITE SHELF (STANDARD)
- 4. EXHAUST FLUE
- 5. EYEBROW HOOD W/ COVER (S.S. OR COPPER)
- 6. TEMP. CONTROL READOUT PANEL
- 7. FRONT APRON (S.S. OR COPPER)
- 8. 2" TUBE STEEL
- 9. 2" STEEL ANGLE BRACING
- 10. 2 1/2" TUBE STEEL
- 11. 5"X3" PERIMETER CURVED STEEL ANGLE
- 12. TEMPERATURE PROBE
- 13. 20 1/2"X9 1/2" OVEN ENTRANCE
- 14. OVEN FLOOR TILES (12"X12")
- 15. HARDENED INSULATION FILL
- 16. 1/8" FRONT STEEL PLATES (BLACK)
- 17. 2" STEEL ANGLE (REMOVEABLE)
- 18. 5"X3" STEEL ANGLE BASE
- 19. STEEL LID W/ 4"X16" SCREEN VENT IN REAR
- 20. GAS BURNER SYSTEM RECESSED IN FLOOR
- 21. GAS BURNER OPERATING SYSTEMS BOX FLEX HOSE AND (1) 72" POWER CORD



FRONT ELEVATION-1

SECTION-A

NOTES:

- 1. VENTING APPLICATIONS: USE EITHER A U.L. LISTED GREASE DUCT/BUILDING HEATING APPLIANCE CHIMNEY OR U.L. LISTED TYPE 1 EXHAUST HOOD.
- 2. EXTERIOR SHEEL AND ALL STEEL PARTS ARE FACTORY FINISHED IN GRAY. (OTHER COLOR OPTIONS AVAILABLE).
- 3. GAS REQUIREMENTS: 3/4" GAS OUTLET.
- 4. ELECTRICAL REQUIREMENTS: 120 VOLT AC OUTLET / 3 AMPS

GAS OUTPUT: 90,000 BTUS

SPECIFICATIONS ARE SUBJECT TO CHANGE WITHOUT NOTICE.

SCALE: 3/8"=1'-0"

EARTHSTONE
 WOOD-FIRE OVENS
 8717 SAN FERNANDO RD
 GLENDALE CA 91201
 TEL: 818-553-1134 FAX: 818-553-1133

DATE: 10-20-96
 REVISION: 5/12/2005

TITLE:
 MODEL 90-PAG
 GAS FIRED OVEN

SHEET NO.